

PM SNK C

PRISM Tap Range Prism Monobloc Sink Mixer Chrome



Specification

Product Type:	Taps
Main Construction Material:	Brass
Mount Type:	Deck Mounted
Handle Type:	Lever Handles
Connection Inlet:	M10 X 15Mmm Screw-in Flexible Tails
Connection Outlet:	Anti-Splash
Number of Tap Holes:	1
Valve/Cartridge Type:	35mm Cartridge
Plumbing System Requirements:	Suitable for all plumbing systems
Minimum Dynamic Pressure (bar):	0.2 bar
Maximum Dynamic Pressure (bar):	5.0 bar
Maximum Hot Water Temperature °C:	65°C
Maximum Static Pressure (bar):	10 bar
Flow Type:	Single Flow

Features:

- Long life ceramic cartridge for added durability and ease of use
- Metal fixing nut for added durability
- Product supplied with two check valves
- Flexible tails included

Product Certifications:



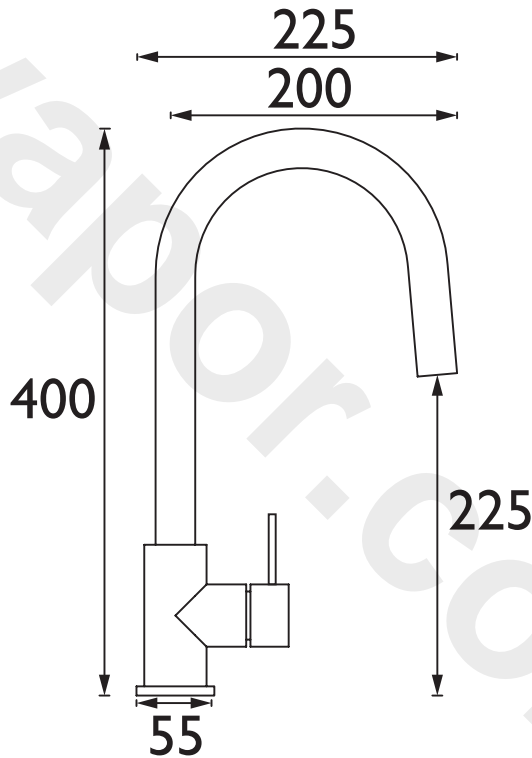
WRAS Cert. Number: 1806062
WRAS Expiry Date: 30/06/2023



For more products, visit our website:
<http://www.bristan.com>



Dimensions (measurements in mm)



Flow Rates (l/min)

System Pressure (bar)	0.2	0.5	1	2	3	5
PM SNK C (mixed)	4.6	7.3	10.4	14.7	18	23.2

TECHNICAL DATA SHEET



BRISTAN

D9